

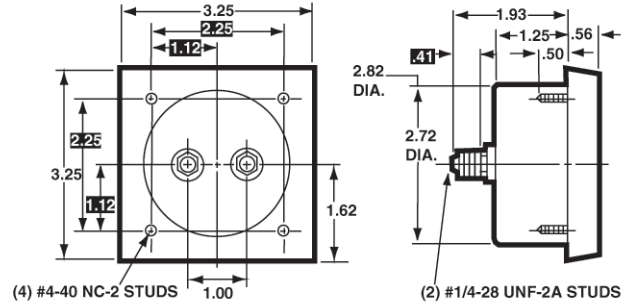


Rugged Seal Style Analog Panel Meters



Dimensions

3 - 1/2"-Model 3323, 3343



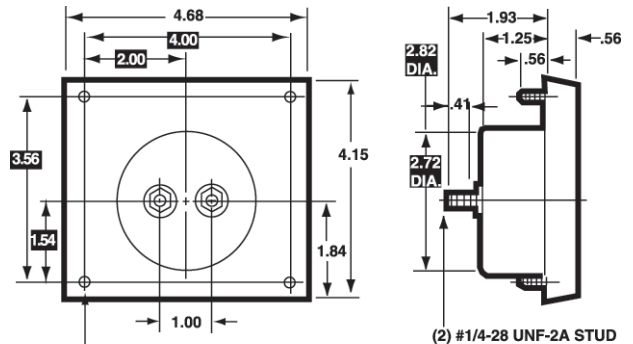
MTG. HOLES- .140 DIA. DRILL THRU

- **Rugged metal case for rigorous environments**
- **Splash-proof and sealed against moisture, dust and dirt**
- **Calibration not affected by steel panel mounting**
- **O-Ring sealed zero adjust and electrical terminals**

Specifications

Accuracy:	±3% F.S. AC Rectified, ±2% for DC or Annular
Movement:	Annular rectifier, self-shielding
Suspension:	Pivot and jewel
Tracking:	±3%
Shielding:	Calibration is unaffected by magnetic panel mounting.
Response Time:	1.5 seconds maximum
Overload (1 sec.):	10 times F.S.
Overload (Continuous):	1.5 times F.S.
Repeatability:	2%
Dial:	Sharp clear scale. Each dial arc is calibrated to track the specific type of movement used.
Case:	Metal shielded cover with black matte finish
Resistance:	±15% of meter impedance
Operating Temperature:	-4°F to +149°F (-20°C to +65°C)
Pointer:	Knife-edge with black matte finish
Scale Length:	Models 3323, 3343: 2.74" (70.0mm) Models 3324, 3344: 4.05" (103.0mm)
Net Weight:	Models 3323, 3343: 12oz (0.340kg) Models 3324, 3344: 17oz (0.48kg)

4 - 1/2"-Model 3324, 3344



MTG. HOLES- .166 DIA. DRILL

